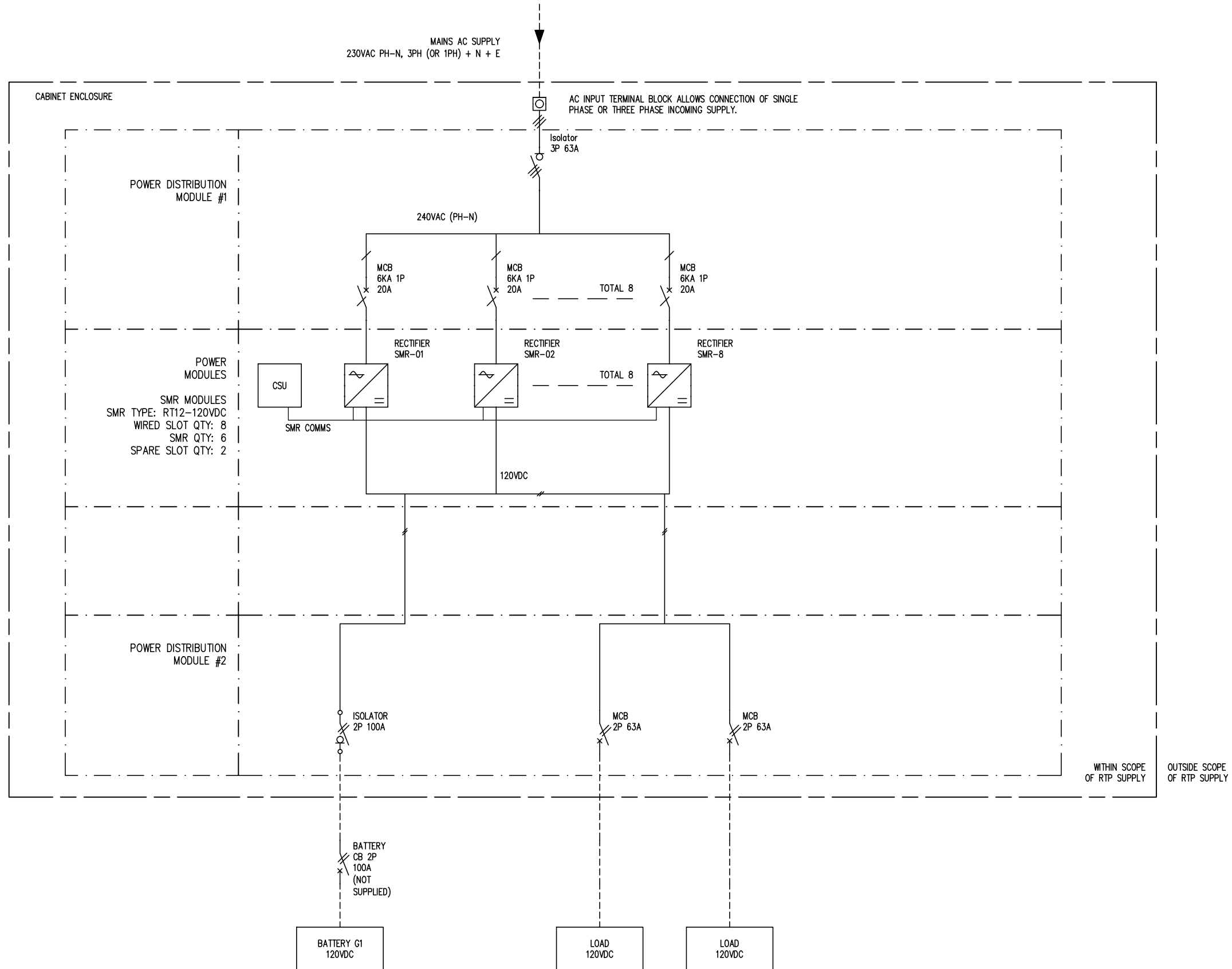


A

B

C

D



GENERAL NOTE:
 1. WIRES IN DASHED LINES ARE TO BE SUPPLIED AND INSTALLED BY OTHERS.
 2. BATTERY SUPPLIED AND INSTALLED BY OTHERS.

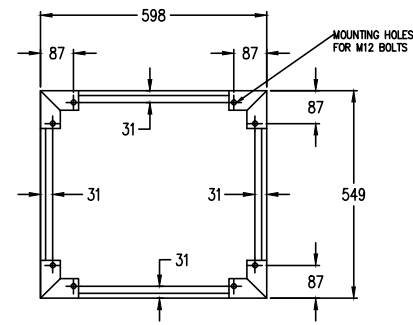
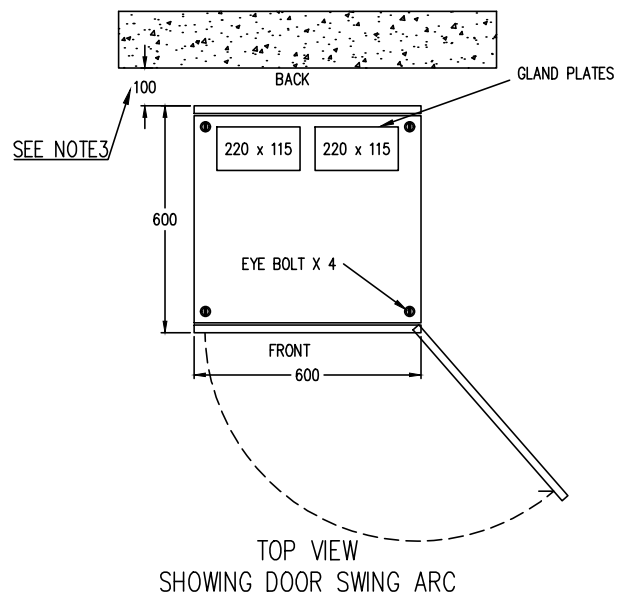
	Name	Signature	Date
Designed by	Rabindra Shrestha		
Design chk by			
CAD by	Rabindra SHRESTHA		
CAD chk by			

STATUS:
 PROPRIETARY INFORMATION. Not to be disclosed, copied, or used without prior written permission from Rectifier Technologies.
 Copyright 2010 Rectifier Technologies. All rights reserved. Subject to change without notice.

Rectifier Technologies Pacific Pty. Ltd.
 24 Harker Street, Burwood, VIC, Australia, 3125
 Phone: +61 3 9896 7588 Fax: +61 3 9896 7566

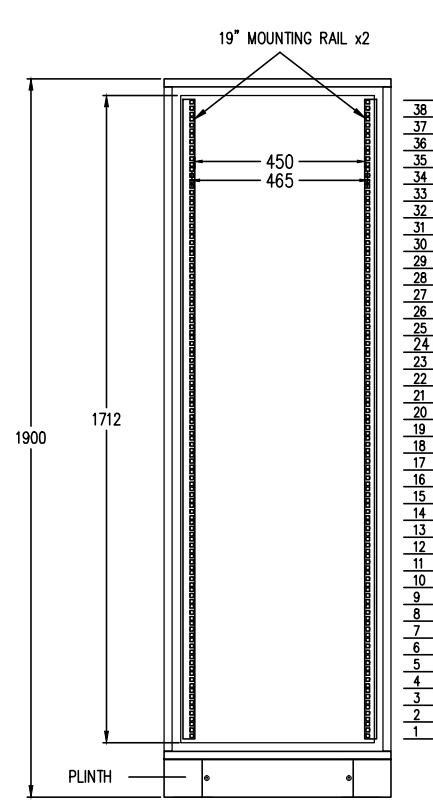
CLIENT:
 EQUIPMENT DETAIL:
 RT12-120VDC CABINET SYSTEM

PROJECT TITLE:
 SHEET TITLE: SINGLE LINE DIAGRAM
 DWG NO.: 940-2970
 SHEET: S01
 ISSUE: 01

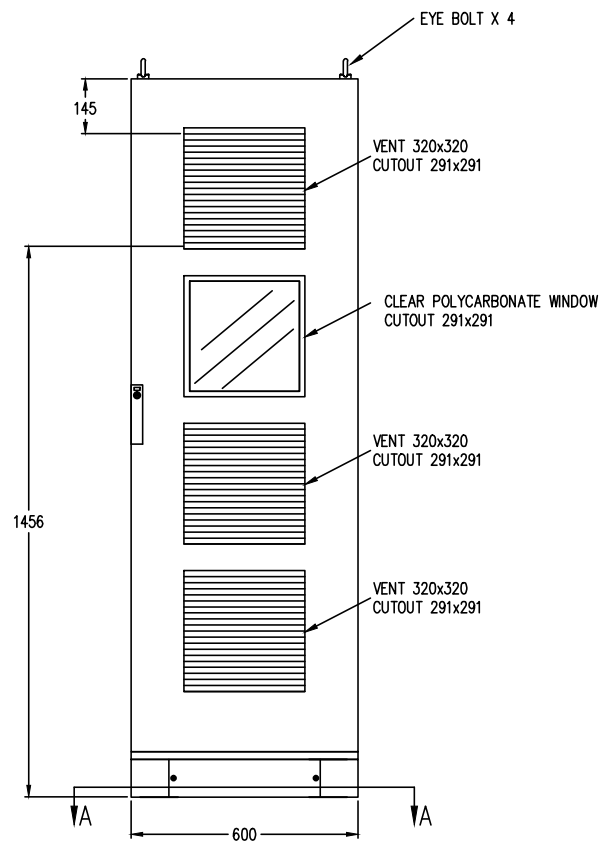


SECTION AA VIEW
FLOOR MOUNTING DETAILS
(Dimensions are indicative only.
Confirm all dimensions with
actual unit when preparing for
installation.)

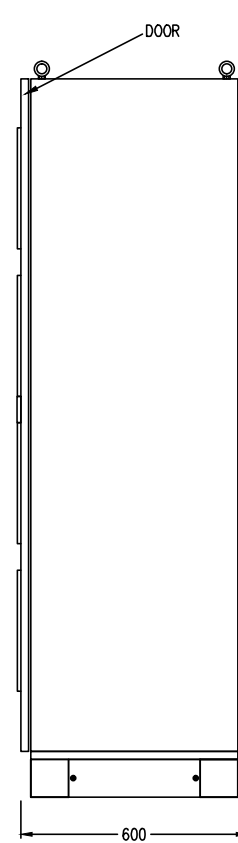
NOTE 1:
1. .



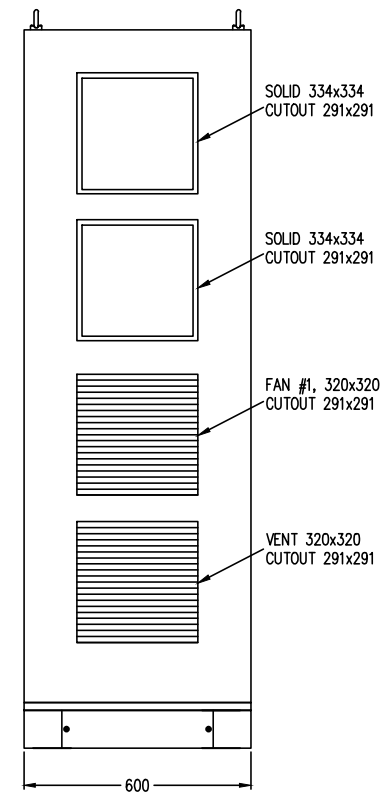
FRONT VIEW
(WITHOUT DOOR)



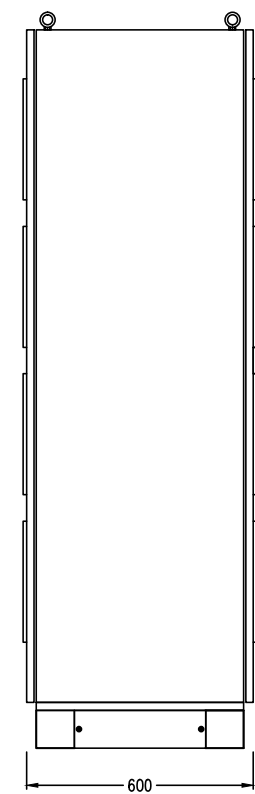
FRONT VIEW
(DOOR CLOSED)



SIDE, RIGHT VIEW
(DOOR CLOSED)



REAR VIEW
(DOOR CLOSED)



SIDE, LEFT VIEW
(DOOR CLOSED)

GENERAL NOTE:
1. SCALE 1:20 APPROX. DO NOT SCALE FROM HARDCOPY.
2. DIMENSIONS ON DRAWING ARE INDICATIVE ONLY. CONFIRM ALL DIMENSIONS WITH ACTUAL UNIT WHEN PREPARING FOR INSTALLATION.
3. BACK OF CUBICLE TO BE SPACED FROM WALL 100MM MINIMUM FOR AIR FLOW.

	Name	Signature	Date
Designed by	Rabindra Shrestha		
Design chk by			
CAD by	Rabindra SHRESTHA		
CAD chk by			

STATUS:
PROPRIETARY INFORMATION. Not to be disclosed, copied, or used without prior written permission from Rectifier Technologies.
Copyright 2010 Rectifier Technologies. All rights reserved. Subject to change without notice.
Rectifier Technologies Pacific Pty. Ltd.
24 Harker Street, Burwood, VIC, Australia, 3125
Phone: +61 3 9896 7588 Fax: +61 3 9896 7566

CLIENT:
EQUIPMENT DETAIL:
RT12-120VDC CABINET SYSTEM

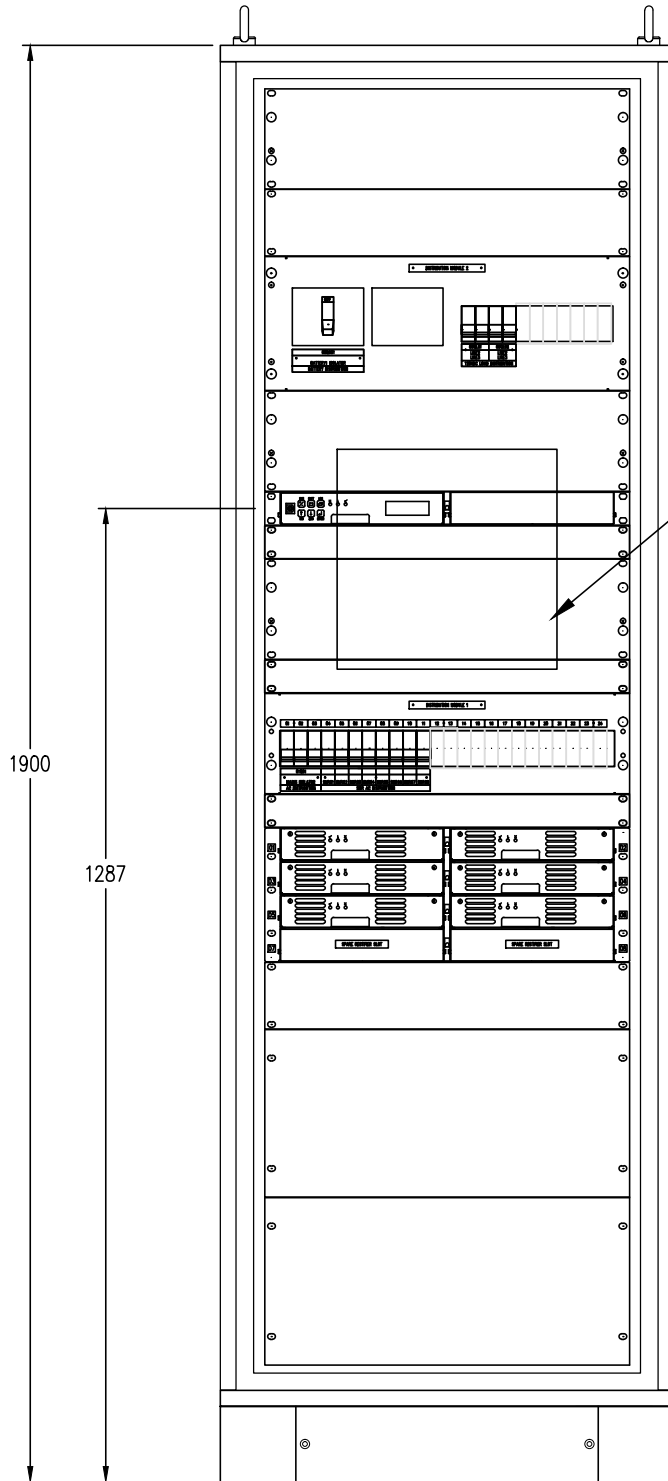
PROJECT TITLE:
SHEET TITLE: LAYOUT CABINET VIEWS WITHOUT EQUIPMENT
DWG NO.: 940-2970
SHEET: L01
ISSUE: 01

CABLE ENTRY LOCATIONS

CABLE	LOCATION
AC SUPPLY	TOP
BATTERY	TOP
DC LOADS	TOP
AC LOADS	NA
ALARMS	TOP
COMMS	TOP

CABINET DETAILS:

- 600W x 600D x 1800H (PLUS PLINTH)
- PLINTH 100MM
- FLOOR STANDING
- IP43
- COLOUR: GREY (RAL7035)



FRONT VIEW
(WITHOUT DOOR)

- 38
- 37
- 36
- 35
- 34
- 33
- 32
- 31
- 30
- 29
- 28
- 27
- 26
- 25
- 24
- 23
- 22
- 21
- 20
- 19
- 18
- 17
- 16
- 15
- 14
- 13
- 12
- 11
- 10
- 9
- 8
- 7
- 6
- 5
- 4
- 3
- 2
- 1

1. AC TERMINALS ON REAR LEFT SIDE.
2. FAN CONTROL RELAY ON RIGHT SIDE.

DISTRIBUTION 2;
1. BATTERY ISOLATOR 2P 100A x 1
2. LOAD MCB 2P 63A x 2

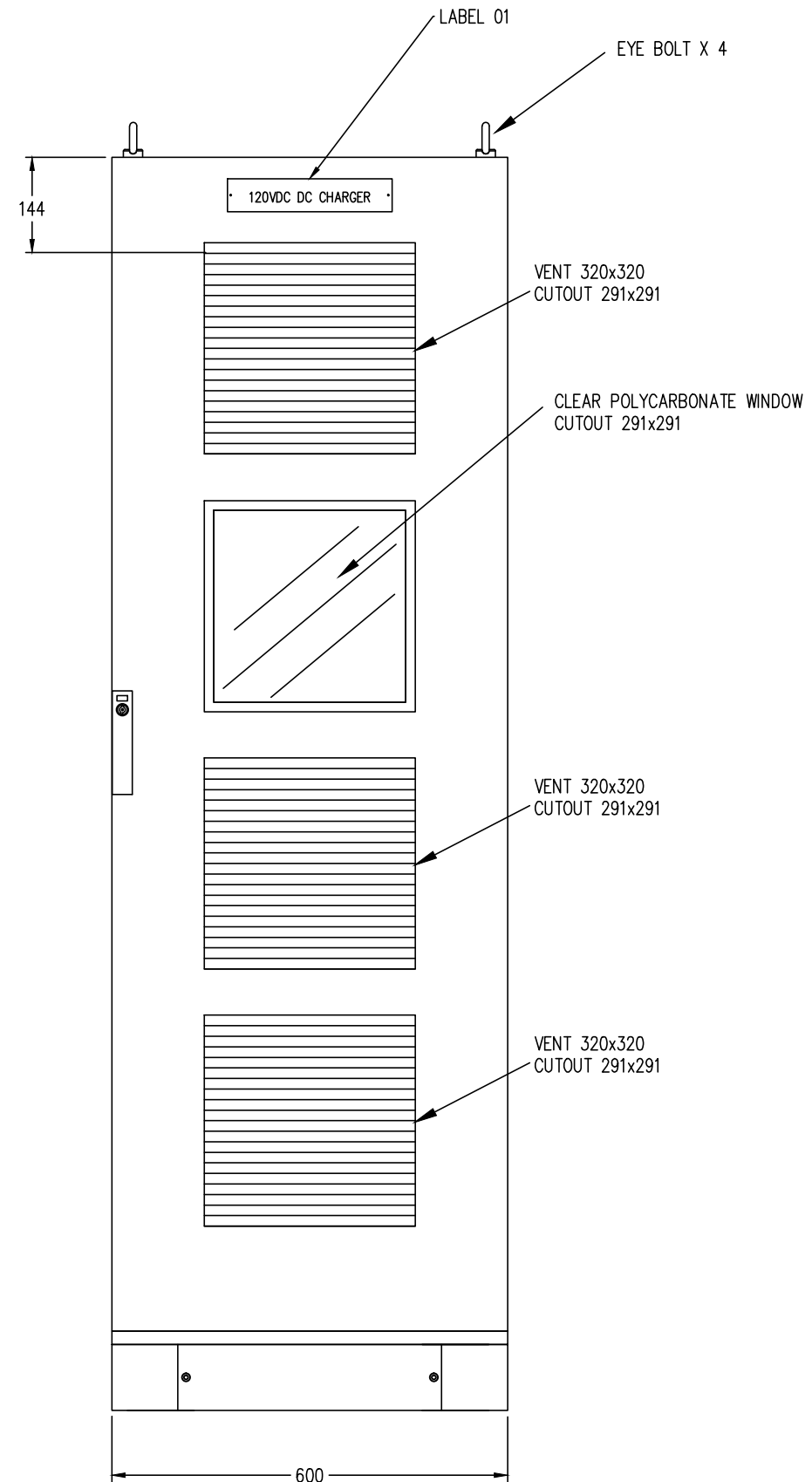
WINDOW POSITION

120VDC CSU x 1

DISTRIBUTION MODULE 1;
1. MAINS ISOLATOR 3P 63A x 1
2. SMR AC INPUT MCBs
18MM 6KA 1P 20A x 8

"POWERSHELF" MAGAZINE
1. RT12-120VDC-2.4KW x 6
2. SPARE SLOT = 2

PLINTH 100MM



FRONT VIEW
(DOOR CLOSED)

GENERAL NOTE:
1. SCALE 1:10 APPROX. DO NOT SCALE FROM HARDCOPY.
2. DIMENSIONS ON DRAWING ARE INDICATIVE ONLY. CONFIRM ALL DIMENSIONS WITH ACTUAL UNIT WHEN PREPARING FOR INSTALLATION.

	Name	Signature	Date
Designed by	Rabindra Shrestha		
Design chk by			
CAD by	Rabindra SHRESTHA		
CAD chk by			

STATUS:
 PROPRIETARY INFORMATION. Not to be disclosed, copied, or used without prior written permission from Rectifier Technologies.
 Copyright 2010 Rectifier Technologies. All rights reserved. Subject to change without notice.
Rectifier Technologies Pacific Pty. Ltd.
 24 Harker Street, Burwood, VIC, Australia, 3125
 Phone: +61 3 9896 7588 Fax: +61 3 9896 7566

CLIENT:
 EQUIPMENT DETAIL:
 RT12-120VDC CABINET SYSTEM

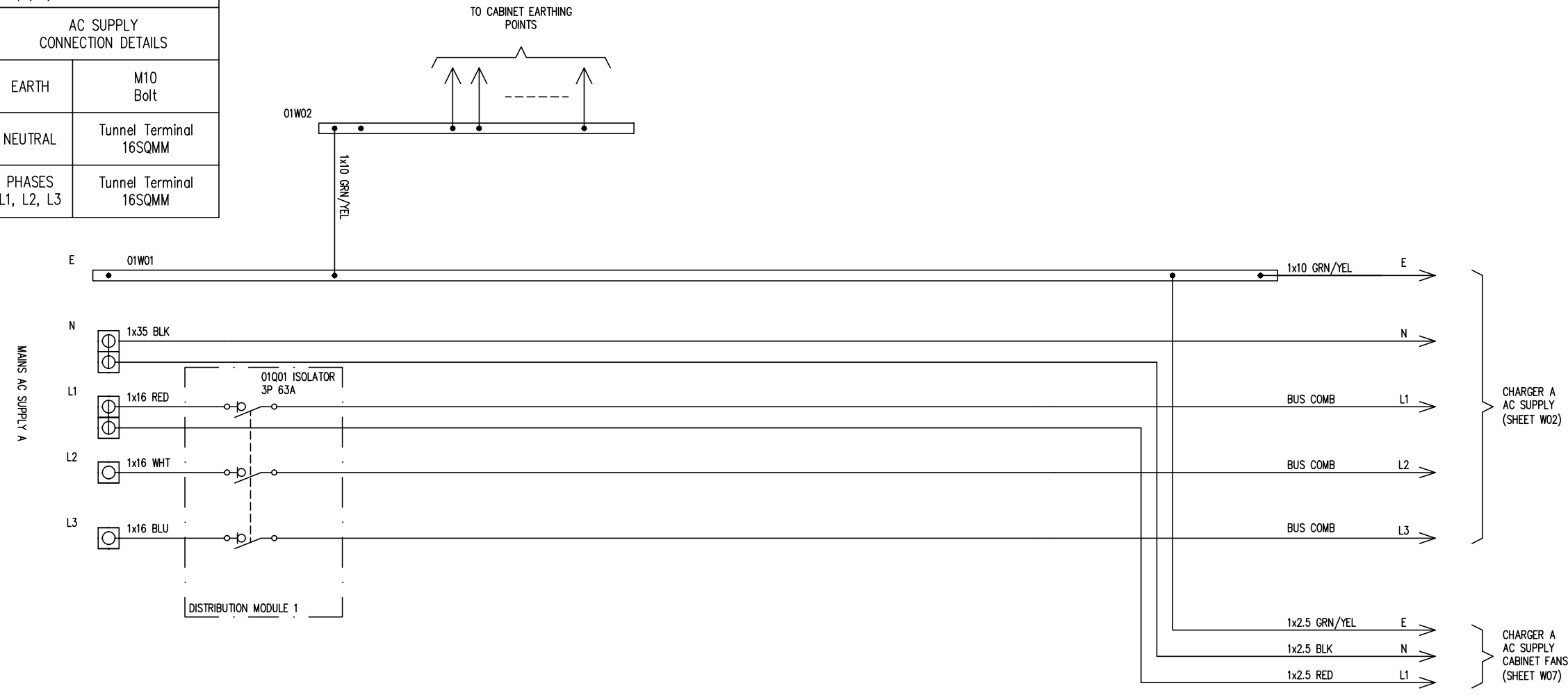
PROJECT TITLE:		SHEET:	ISSUE:
LAYOUT CABINET VIEW WITH EQUIPMENT		L02	01
DWG NO.:	940-2970		

AC SUPPLY TERMINALS
 AC supply terminal block allows connection of either single-phase or three-phase incoming supply.
 For single phase supply, a terminal shorting link is provided to link together the AC supply terminals L1, L2, L3.
 By default, the system is shipped with terminal shorting link REMOVED.

AC SUPPLY ELECTRICAL SPECIFICATIONS	
Number of phases:	1 or 3
Neutral required:	Yes
Volts phase to neutral:	230
Freq (Hz):	50
AC SUPPLY CONNECTION DETAILS	
EARTH	M10 Bolt
NEUTRAL	Tunnel Terminal 16SQMM
PHASES L1, L2, L3	Tunnel Terminal 16SQMM

BUS-BAR and COMMON CONDUCTOR DETAILS	
01W01 01W03	BRASS BAR [M10 x6, nil tunnels] (RTP part no: 605-4081-00).
01W02	BRASS BAR [M10 x2, 16sqmm tunnel x12] (RTP part no: 605-4055-00).

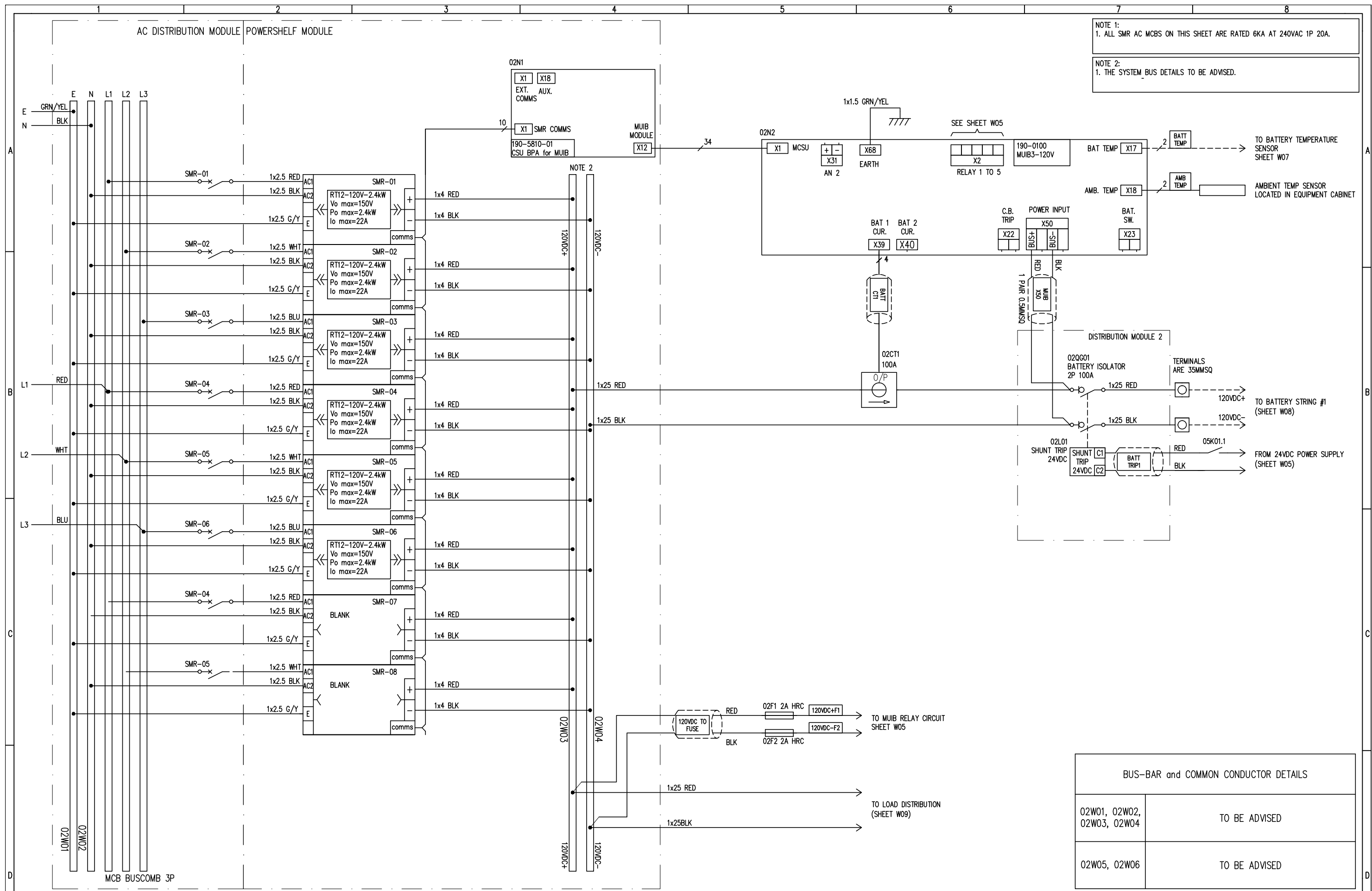
RESERVED FOR CUSTOMER TO RECORD MAIN CABLE + FEEDING DISTRIBUTION BOARD DETAILS



BUS-BAR and COMMON CONDUCTOR DETAILS	
01W01 01W02 01W03	BRASS BAR [M10 x2, 16sqmm tunnel x12] (RTP part no: 605-4055-00).

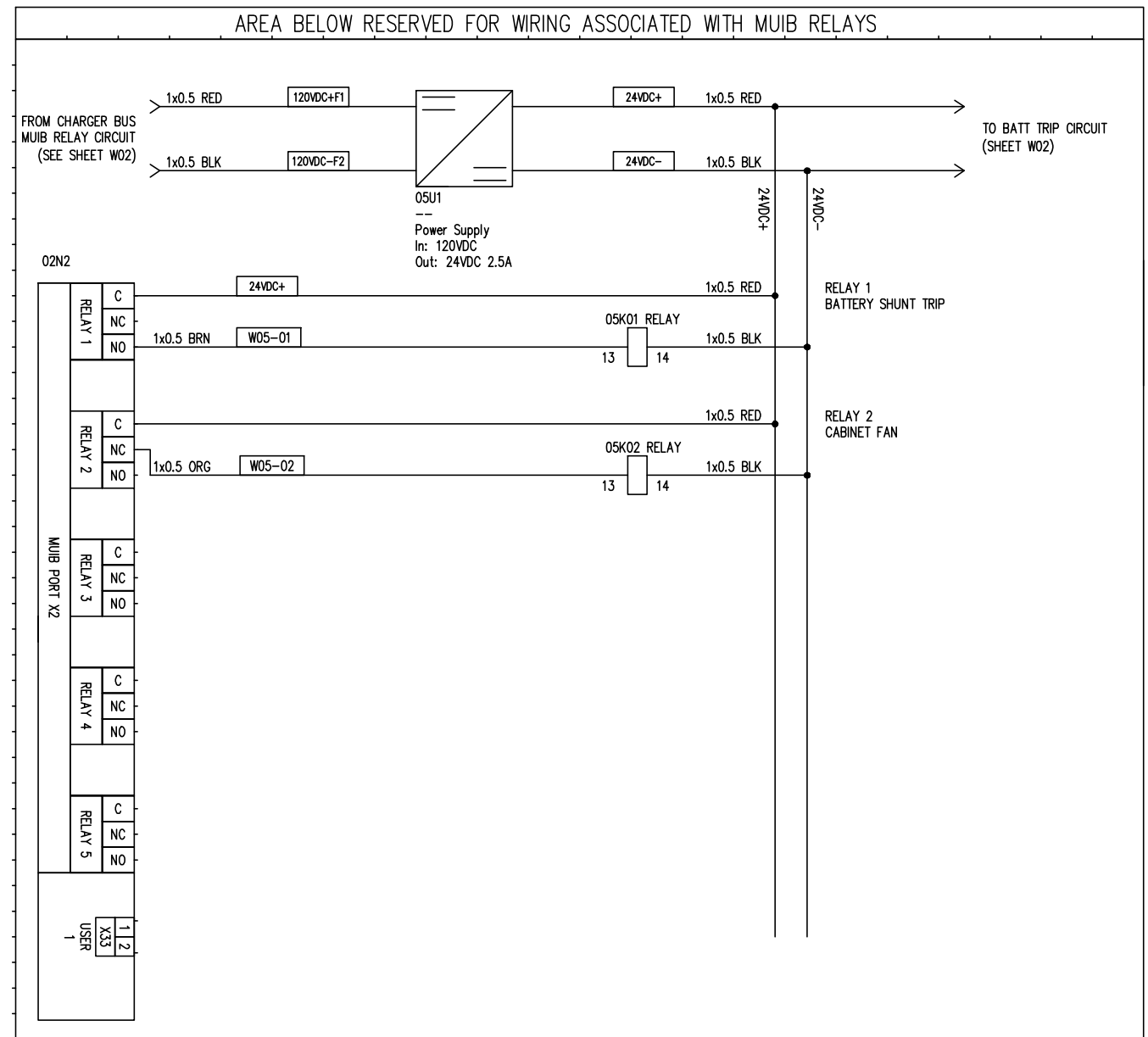
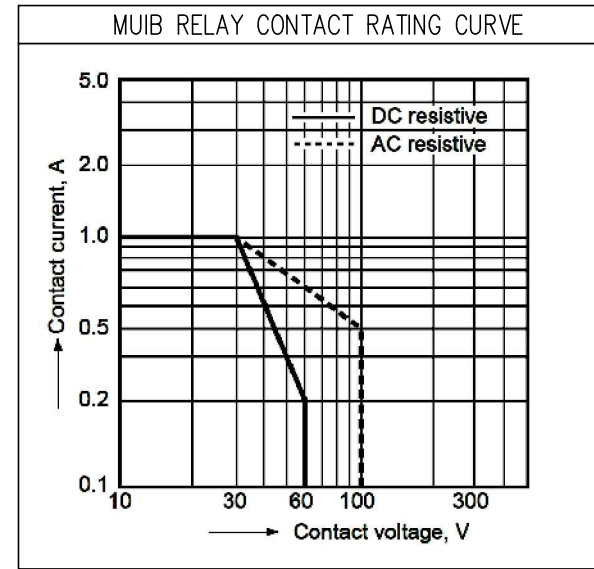
GENERAL NOTE:
1.

	Name	Signature	Date	STATUS:	CLIENT:	PROJECT TITLE	
Designed by	Rabindra Shrestha			PROPRIETARY INFORMATION. Not to be disclosed, copied, or used without prior written permission from Rectifier Technologies. Copyright 2010 Rectifier Technologies. All rights reserved. Subject to change without notice. Rectifier Technologies Pacific Pty. Ltd. 24 Harker Street, Burwood, VIC, Australia, 3125 Phone: +61 3 9896 7588 Fax: +61 3 9896 7566	EQUIPMENT DETAIL: RT12-120VDC CABINET SYSTEM	SHEET TITLE: WIRING DIAGRAM AC MAINS	
Design chk by			DWG NO.: 940-2970			SHEET: W01	ISSUE: 01
CAD by	Rabindra SHRESTHA						
CAD chk by							



GENERAL NOTE: 1.	Name Signature Date	STATUS: DESIGNED BY: RABINDRA SHRESTHA DESIGN CHK BY: CAD BY: RABINDRA SHRESTHA CAD CHK BY:	CLIENT: EQUIPMENT DETAIL: RT12-120VDC CABINET SYSTEM	PROJECT TITLE: SHEET TITLE: WIRING DIAGRAM DC CHARGER
	PROPRIETARY INFORMATION. Not to be disclosed, copied, or used without prior written permission from Rectifier Technologies. Copyright 2010 Rectifier Technologies. All rights reserved. Subject to change without notice.		RECTIFIER TECHNOLOGIES PACIFIC PTY. LTD. 24 HARKER STREET, BURWOOD, VIC, AUSTRALIA, 3125 Phone: +61 3 9896 7588 Fax: +61 3 9896 7566	DWG NO.: 940-2970
			SHEET: W02	ISSUE: 01

MUIB X2 ALARM RELAY ALLOCATION TABLE						
SN	ALARM LIST	RELAY 1	RELAY 2	RELAY 3	RELAY 4	RELAY 5
	Normally Energised Comments	SYSTEM USED Battery Trip	SYSTEM USED Cabinet Fans	Available for user to configure	Available for user to configure	Available for user to configure
1	General Alarm					
2	Voltage High					
3	Voltage Low					
4	LVDS Activated					
5	Load Disconnected					
6	Battery Disconnected					
7	Battery Temperature Sensor					
8	System Voltage Clamp					
9	EEPROM Fault					
10	Safe Mode					
11	Equalisation					
12	Charge Current Limit					
13	Battery Discharge					
14	Battery Discharge Symmetry Alarm					
15	Battery Discharge Low					
16	Battery Temperature High					
17	Earth Leakage Fault					
18	Battery CT Fail					
19	Cell Voltage High					
20	Cell Voltage Low					
21	Cell Deviation High					
22	Cell Deviation Low					
23	Discharge Test Fail					
24	Battery Discharge Test					
25	Rectifier Comms					
26	Rectifier Urgent					
27	Rectifier Warning					
28	Rectifier High Voltage Shutdown					
29	Uncalibrated SMR					
30	Rectifier Parameter Range					
31	Rectifier Failure					
32	Rectifier Switched Off					
33	Rectifier Minor Alarm					
34	Rectifier Major Alarm					
35	Fan Control					
36	Ambient Temperature High					
37	AC Voltage Fault					
38	AC Frequency Fault					
39	Low Volt Load Disconnect					
40	Arrestor Trip					
41	Display Failed					
42	Rectifier Firmware File Error					
43	Rectifier Config File Error					
44	Rectifier Upload Failure					



GENERAL NOTE:
1. RELAY FUNCTION ASSIGNMENTS TO BE ADVISED.

	Name	Signature	Date
Designed by	Rabindra Shrestha		
Design chk by			
CAD by	Rabindra SHRESTHA		
CAD chk by			

STATUS:
 PROPRIETARY INFORMATION. Not to be disclosed, copied, or used without prior written permission from Rectifier Technologies.
 Copyright 2010 Rectifier Technologies. All rights reserved. Subject to change without notice.
Rectifier Technologies Pacific Pty. Ltd.
 24 Harker Street, Burwood, VIC, Australia, 3125
 Phone: +61 3 9896 7588 Fax: +61 3 9896 7566

CLIENT:
 EQUIPMENT DETAIL:
 RT12-120VDC CABINET SYSTEM

PROJECT TITLE:
 SHEET TITLE: WIRING DIAGRAM
 RELAY FUNCTION ALLOCATIONS

DWG NO.: 940-2970
 SHEET: W05
 ISSUE: 01

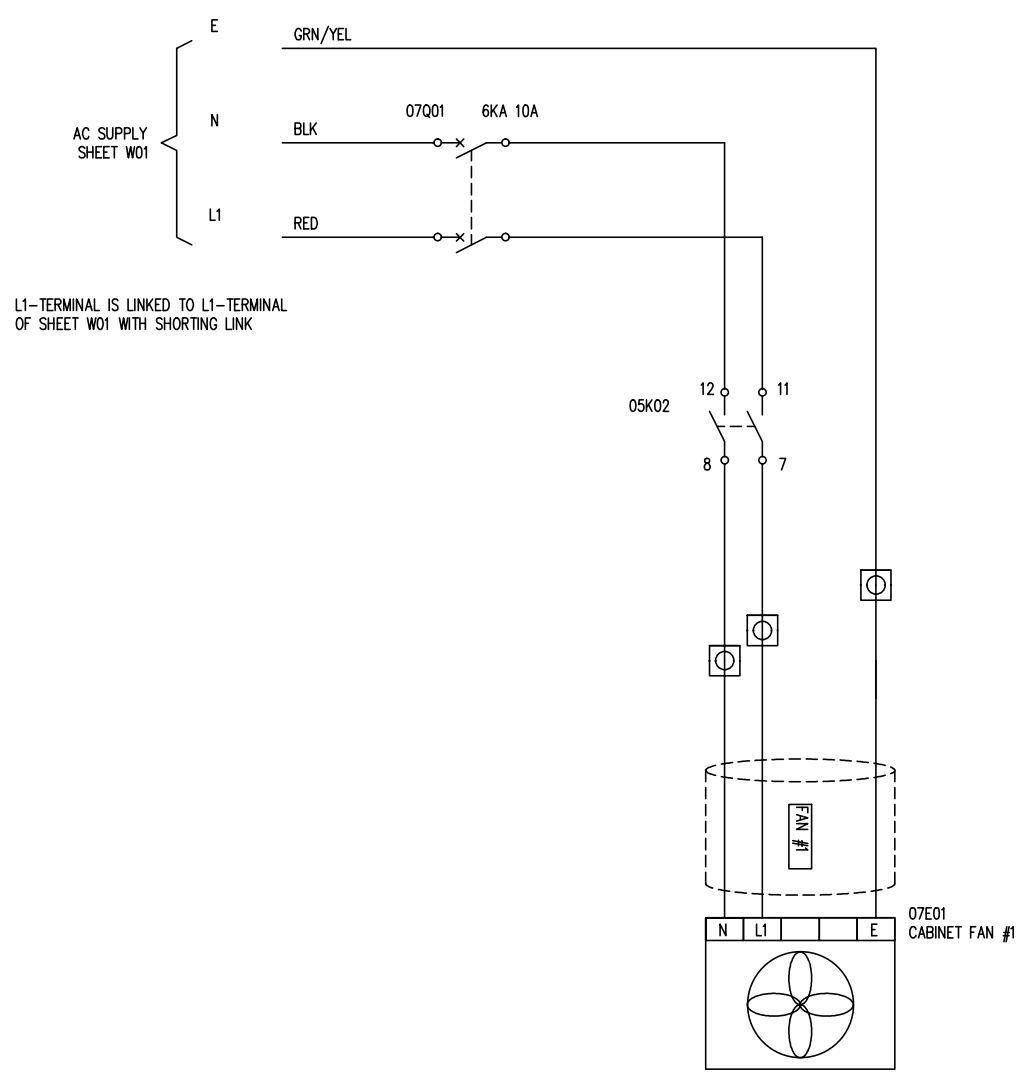
1 2 3 4 5 6 7 8

A

B

C

D



GENERAL NOTE:
1.

	Name	Signature	Date
Designed by	Rabindra Shrestha		
Design chk by			
CAD by	Rabindra SHRESTHA		
CAD chk by			

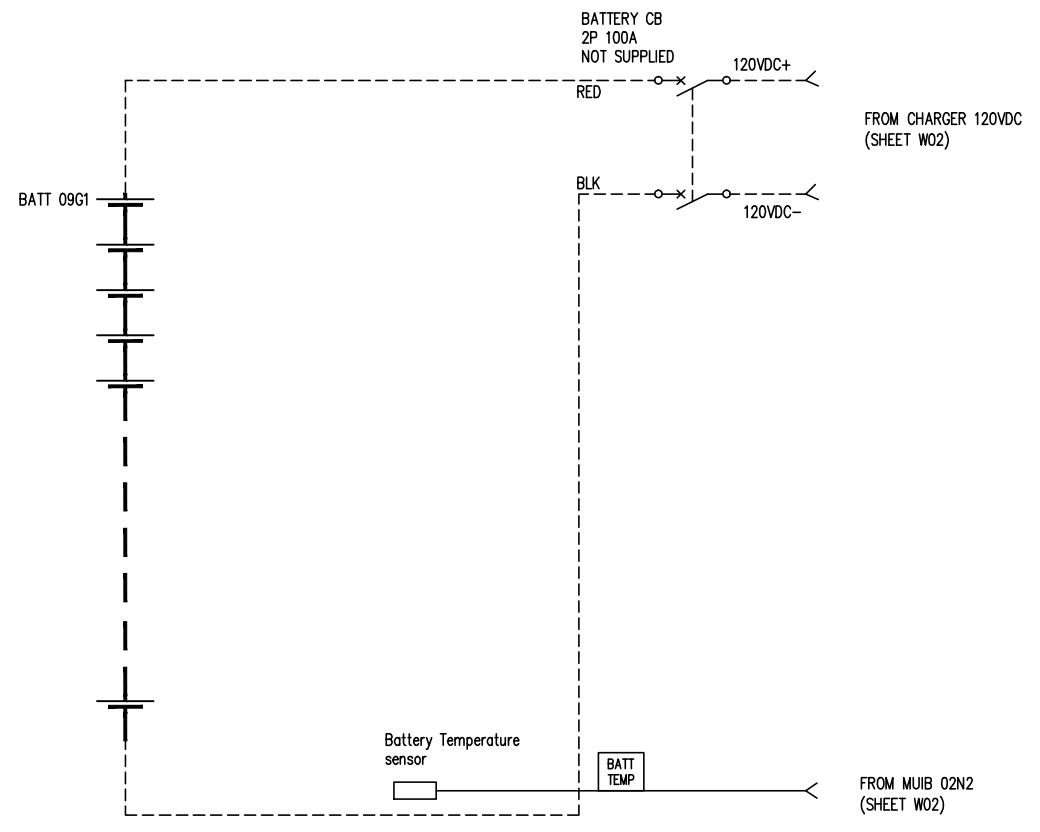
STATUS:
 PROPRIETARY INFORMATION. Not to be disclosed, copied, or used without prior written permission from Rectifier Technologies.
 Copyright 2010 Rectifier Technologies. All rights reserved. Subject to change without notice.
Rectifier Technologies Pacific Pty. Ltd.
 24 Harker Street, Burwood, VIC, Australia, 3125
 Phone: +61 3 9896 7588 Fax: +61 3 9896 7566

CLIENT:
 EQUIPMENT DETAIL:
 RT12-120VDC CABINET SYSTEM

PROJECT TITLE:
 SHEET TITLE: WIRING DIAGRAM
 CABINET CLIMATE CONTROL AND ACCESSORIES
 DWG NO.: 940-2970
 SHEET: W07
 ISSUE: 01

1 2 3 4 5 6 7 8

BATTERY (09G1):
BATTERY STRING NO 1



GENERAL NOTE:
1. BATTERY SUPPLIED AND INSTALLED BY OTHERS.

	Name	Signature	Date
Designed by	Rabindra Shrestha		
Design chk by			
CAD by	Rabindra SHRESTHA		
CAD chk by			

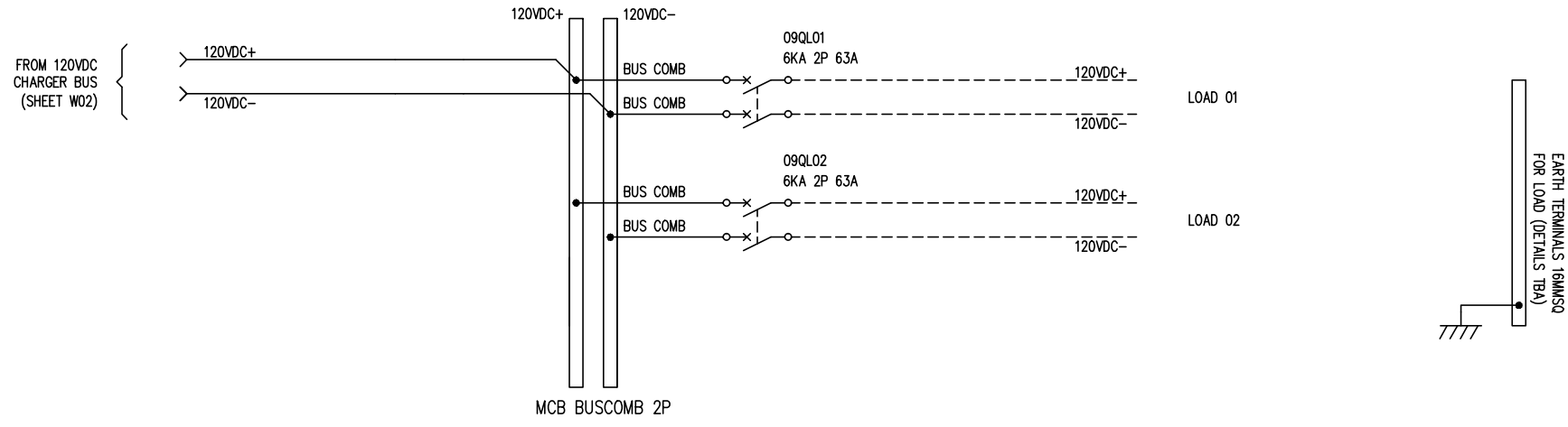
STATUS:
 PROPRIETARY INFORMATION. Not to be disclosed, copied, or used without prior written permission from Rectifier Technologies.
 Copyright 2010 Rectifier Technologies. All rights reserved. Subject to change without notice.
Rectifier Technologies Pacific Pty. Ltd.
 24 Harker Street, Burwood, VIC, Australia, 3125
 Phone: +61 3 9896 7588 Fax: +61 3 9896 7566

CLIENT:
 EQUIPMENT DETAIL:
 RT12-120VDC CABINET SYSTEM

PROJECT TITLE:
 SHEET TITLE: WIRING DIAGRAM
 BATTERY DISTRIBUTION
 DWG NO.: 940-2970
 SHEET: W08
 ISSUE: 01

DISTRIBUTION MODULE 2

CHARGER 120VDC LOAD DISTRIBUTION



GENERAL NOTE:
1.

	Name	Signature	Date
Designed by	Rabindra Shrestha		
Design chk by			
CAD by	Rabindra SHRESTHA		
CAD chk by			

STATUS:
 PROPRIETARY INFORMATION. Not to be disclosed, copied, or used without prior written permission from Rectifier Technologies.
 Copyright 2010 Rectifier Technologies. All rights reserved. Subject to change without notice.
Rectifier Technologies Pacific Pty. Ltd.
 24 Harker Street, Burwood, VIC, Australia, 3125
 Phone: +61 3 9896 7588 Fax: +61 3 9896 7566

CLIENT:
 EQUIPMENT DETAIL:
 RT12-120VDC CABINET SYSTEM

PROJECT TITLE:
 SHEET TITLE: WIRING DIAGRAM
 DC LOAD DISTRIBUTION
 DWG NO.: 940-2970
 SHEET: W09
 ISSUE: 01