
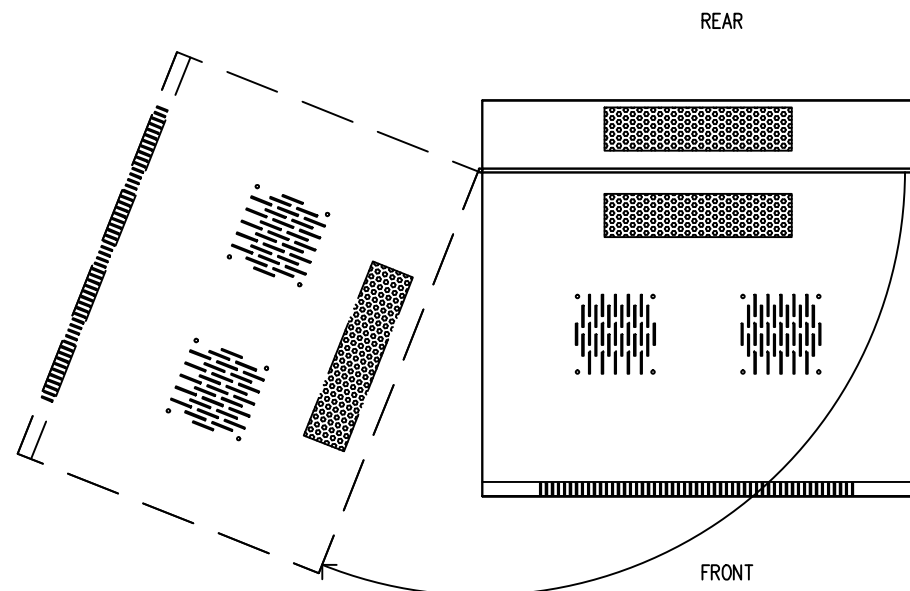


### INTERNAL SHEET INDEX

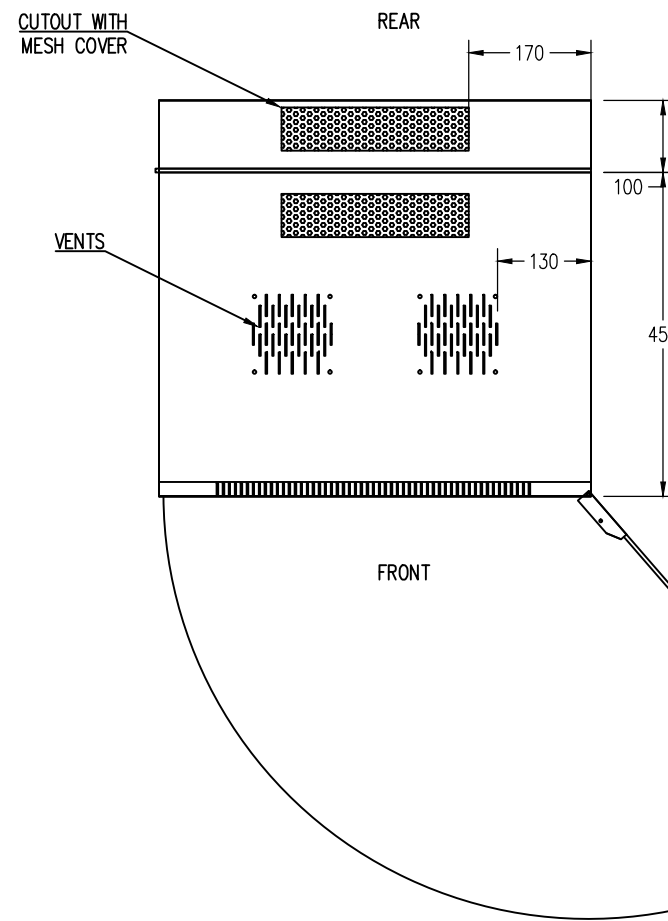
| CONTENTS                                 | SHEET | ISSUE NUMBER |  |  |  |  |  |  |  |  |  |
|--|-------|--------------|--|--|--|--|--|--|--|--|--|
| SHEET INDEX / NOTES                      | A1    | 01           |  |  |  |  |  |  |  |  |  |
| UNASSIGNED                               |       |              |  |  |  |  |  |  |  |  |  |
| GENERAL ARRANGEMENT                      | L01   | 01           |  |  |  |  |  |  |  |  |  |
| UNASSIGNED                               |       |              |  |  |  |  |  |  |  |  |  |
| WRING DIAGRAM - OVERALL SYSTEM           | WO1   | 01           |  |  |  |  |  |  |  |  |  |
| WRING DIAGRAM - MUIB ALARM RELAY DETAILS | WO2   | 01           |  |  |  |  |  |  |  |  |  |
| UNASSIGNED                               |       |              |  |  |  |  |  |  |  |  |  |
| UNASSIGNED                               |       |              |  |  |  |  |  |  |  |  |  |
| UNASSIGNED                               |       |              |  |  |  |  |  |  |  |  |  |
| UNASSIGNED                               |       |              |  |  |  |  |  |  |  |  |  |
|  |       |              |  |  |  |  |  |  |  |  |  |
|  |       |              |  |  |  |  |  |  |  |  |  |
|  |       |              |  |  |  |  |  |  |  |  |  |
|  |       |              |  |  |  |  |  |  |  |  |  |
|  |       |              |  |  |  |  |  |  |  |  |  |
|  |       |              |  |  |  |  |  |  |  |  |  |

| STATUS/REVISION HISTORY |                      |          |      |         |
|-------------------------|----------------------|----------|------|---------|
| ISSUE                   | DETAILS              | DRAWN    | CHKD | DATE    |
| 01                      | 1. Based on 940-3127 | Rabindra |      | 05Apr12 |
|                         |                      |          |      |         |
|                         |                      |          |      |         |
|                         |                      |          |      |         |
|                         |                      |          |      |         |

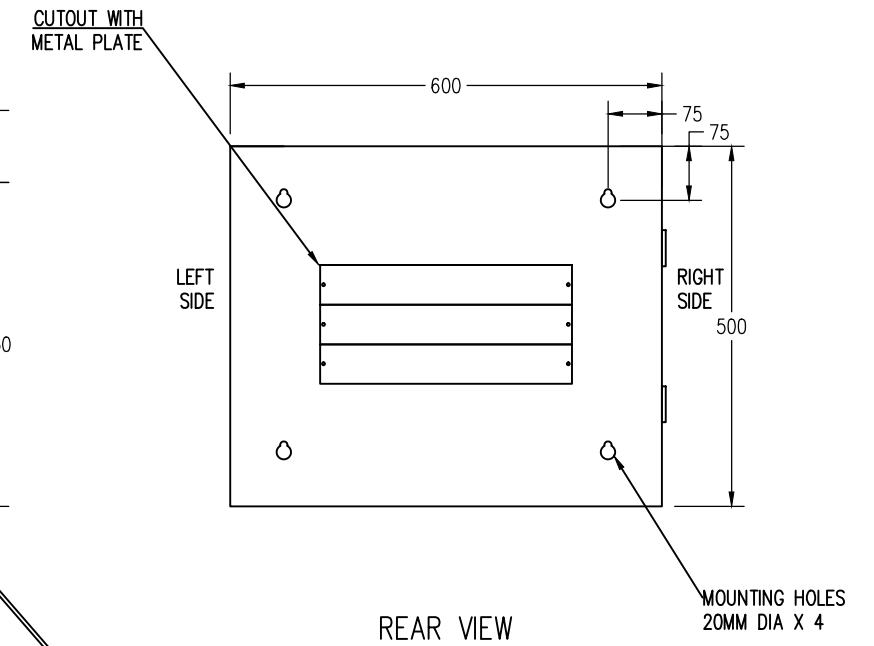
|          |              |      |           |      |   |             |   |                  |       |
|----------|--------------|------|-----------|------|---|-------------|---|------------------|-------|
| NOTE:    |              | Name | Signature | Date | Status:   | Client:     | Project : RT9 24V 100A DC CHARGER SYSTEM  |                  |       |
|          | Designed by: |      |           |      | <small>PROPRIETARY INFORMATION. Not to be disclosed, copied, or used without prior written permission from Rectifier Technologies.<br/>                 Copyright 2010 Rectifier Technologies. All rights reserved. Subject to change without notice.</small> | Client Ref: | Dwg Title: INDEX SHEET / NOTE   |                  |       |
|          | Design chk:  |      |           |      |   |             |  <b>Rectifier Technologies Pacific Pty. Ltd.</b><br>18 Joseph Street, Blackburn North, Vic, Australia, 3130<br>Phone: +61 3 9896 7588 Fax: +61 3 9896 7566 | DWG NO: 940-2277 |       |
|          | CAD by:      |      |           |      |   |             |   |                  | SHEET |
| CAD chk: |              |      |           | A1   |   |             |   |                  | 01    |



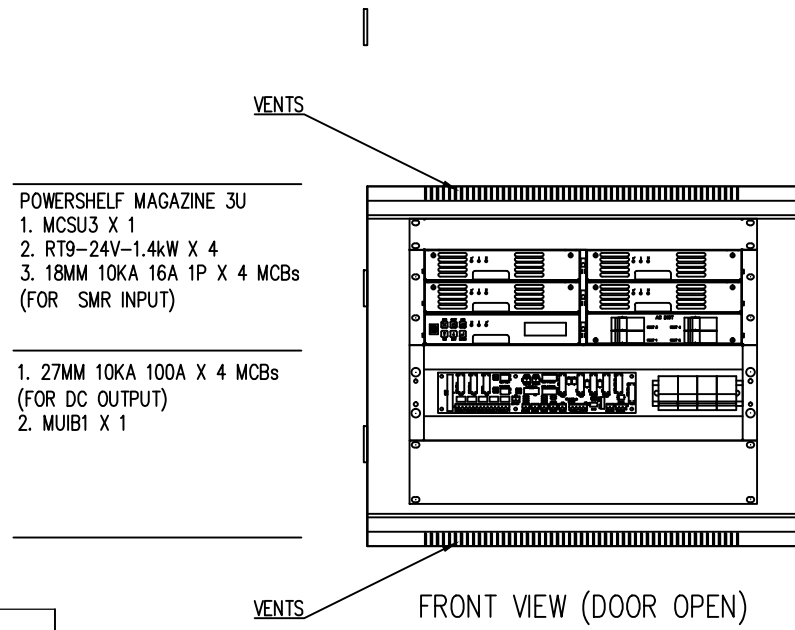
TOP VIEW  
(SHOWING SWINGING ARC OF CABINET)



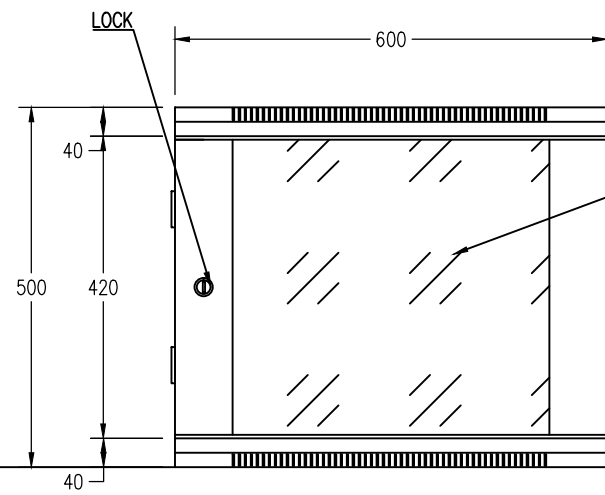
TOP VIEW  
(SHOWING SWINGING ARC OF FRONT DOOR)



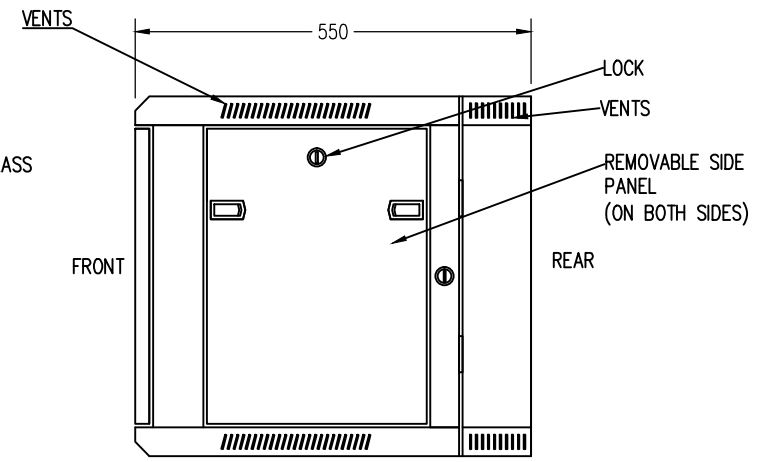
REAR VIEW



- POWERSHELL MAGAZINE 3U  
 1. MCSU3 X 1  
 2. RT9-24V-1.4kW X 4  
 3. 18MM 10KA 16A 1P X 4 MCBs  
 (FOR SMR INPUT)
1. 27MM 10KA 100A X 4 MCBs  
 (FOR DC OUTPUT)  
 2. MU1B1 X 1



FRONT VIEW (DOOR CLOSED)



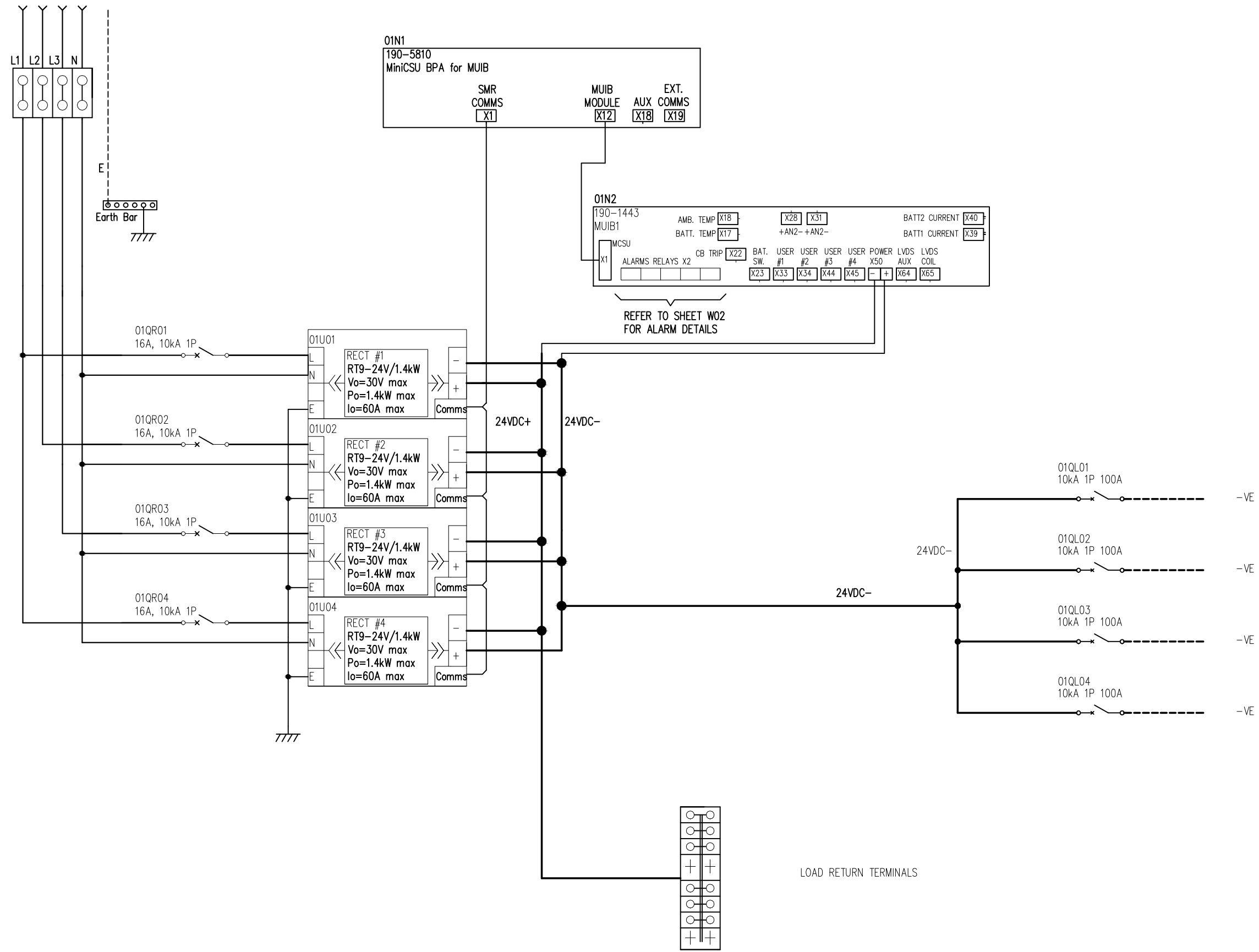
RIGHT SIDE VIEW

NOTE:  
1. CABINET SPACE 9RU

THIRD ANGLE PROJECTIONS

|          |              |      |           |      |   |  |                                |
|----------|--------------|------|-----------|------|---|--|--------------------------------|
| NOTE:    |              |      |           |      | Status:   | Project : RT9 24V 100A DC CHARGER SYSTEM |                                |
|          | Designed by: | Name | Signature | Date | PROPRIETARY INFORMATION. Not to be disclosed, copied, or used without prior written permission from Rectifier Technologies.<br>Copyright 2010 Rectifier Technologies. All rights reserved. Subject to change without notice.<br><b>Rectifier Technologies Pacific Pty. Ltd.</b><br>18 Joseph Street, Blackburn North, Vic, Australia, 3130<br>Phone: +61 3 9896 7588 Fax: +61 3 9896 7566 |  | Dwg Title: GENERAL ARRANGEMENT |
|          | Design chk:  |      |           |      |   |  | Client Ref:                    |
|          | CAD by:      |      |           |      |   |  | DWG NO: 940-2277               |
| CAD chk: |              |      |           |      |   |  |                                |

AC SUPPLY  
 Number of phases: 3  
 Volts ph-N: 415  
 Freq (hz): 50



|       |              |  |  |           |      |   |  |  |
|-------|--------------|--|--|-----------|------|---|--|--|
| NOTE: | Name         |  |  | Signature | Date | Status:   | Project : RT9 24V 100A DC CHARGER SYSTEM |  |
|       | Designed by: |  |  |           |      |   |  | Dwg Title: WIRING DIAGRAM – OVERALL SYSTEM |
|       | Design chk:  |  |  |           |      | PROPRIETARY INFORMATION. Not to be disclosed, copied, or used without prior written permission from Rectifier Technologies. Copyright 2010 Rectifier Technologies. All rights reserved. Subject to change without notice. | Client Ref:                              |  |
|       | CAD by:      |  |  |           |      | <b>Rectifier Technologies Pacific Pty. Ltd.</b><br>18 Joseph Street, Blackburn North, Vic, Australia, 3130<br>Phone: +61 3 9896 7588 Fax: +61 3 9896 7566   |  | DWG NO: 940-2277                           |


02TABLE1

| MUIB PORT X2 ALARM ALLOCATION TABLE |                   |         |
|-------------------------------------|-------------------|---------|
| ALARM RELAYS                        | ALARM DESCRIPTION | REMARKS |
| ALARM RELAY#1                       | DEFAULT           |         |
| ALARM RELAY#2                       | DEFAULT           |         |
| ALARM RELAY#3                       | DEFAULT           |         |
| ALARM RELAY#4                       | DEFAULT           |         |
| ALARM RELAY#5                       | DEFAULT           |         |

MUIB1 OF CHARGER

01N2

|              |        |    |
|--------------|--------|----|
| MUIB PORT X2 | RELAY5 | C  |
|              |        | NC |
|              |        | NO |
|              | RELAY4 | C  |
|              |        | NC |
|              |        | NO |
|              | RELAY3 | C  |
|              |        | NC |
|              |        | NO |
|              | RELAY2 | C  |
|              |        | NC |
|              |        | NO |
|              | RELAY1 | C  |
|              |        | NC |
|              |        | NO |

|          |              |      |           |      |  |  |   |                  |       |
|----------|--------------|------|-----------|------|--|--|---|------------------|-------|
|          |              | Name | Signature | Date | Status:  |  | Project : RT9 24V 100A DC CHARGER SYSTEM  |                  |       |
|          | Designed by: |      |           |      | <small>PROPRIETARY INFORMATION. Not to be disclosed, copied, or used without prior written permission from Rectifier Technologies.<br/>Copyright 2010 Rectifier Technologies. All rights reserved. Subject to change without notice.</small> |  | Dwg Title: WIRING DIAGRAM – MUIB ALARM RELAY AND SITE MONITOR DETAILS   |                  |       |
|          | Design chk:  |      |           |      |  |  | Client Ref:   | DWG NO: 940-2277 |       |
|          | CAD by:      |      |           |      |  |  |  <b>Rectifier Technologies Pacific Pty. Ltd.</b><br>18 Joseph Street, Blackburn North, Vic, Australia, 3130<br>Phone: +61 3 9896 7588 Fax: +61 3 9896 7566 | SHEET            | ISSUE |
| CAD chk: |              |      |           | W02  | 01   |  |   |                  |       |