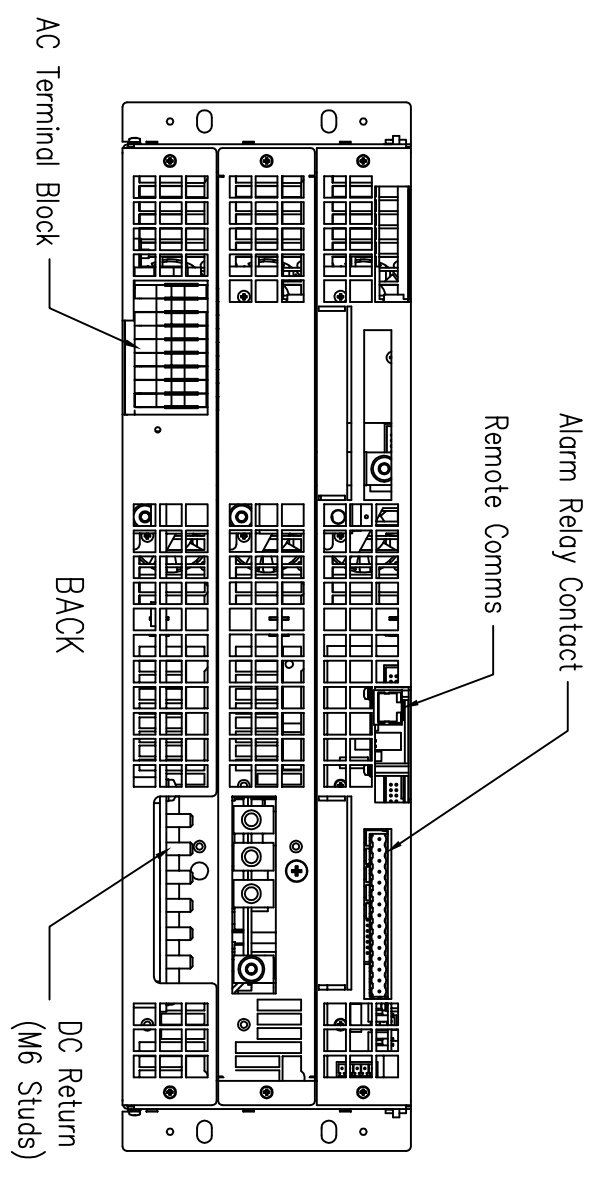
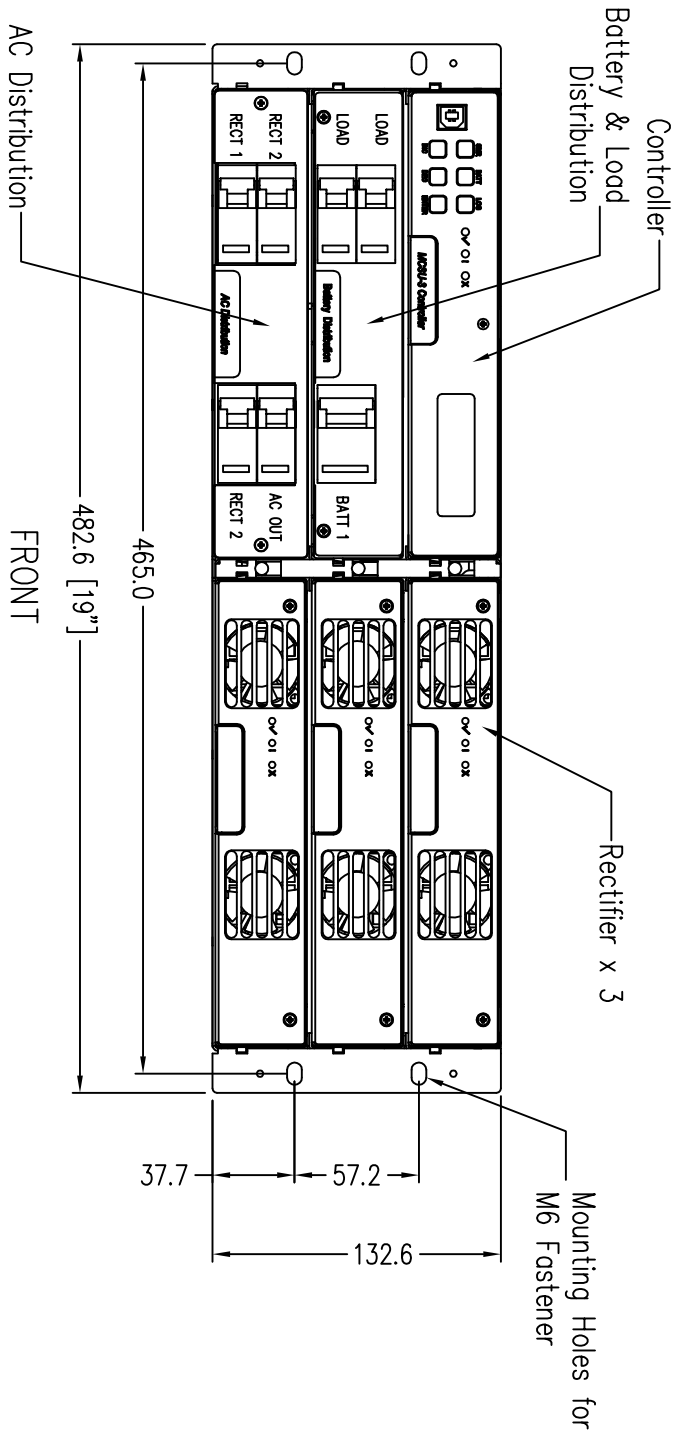
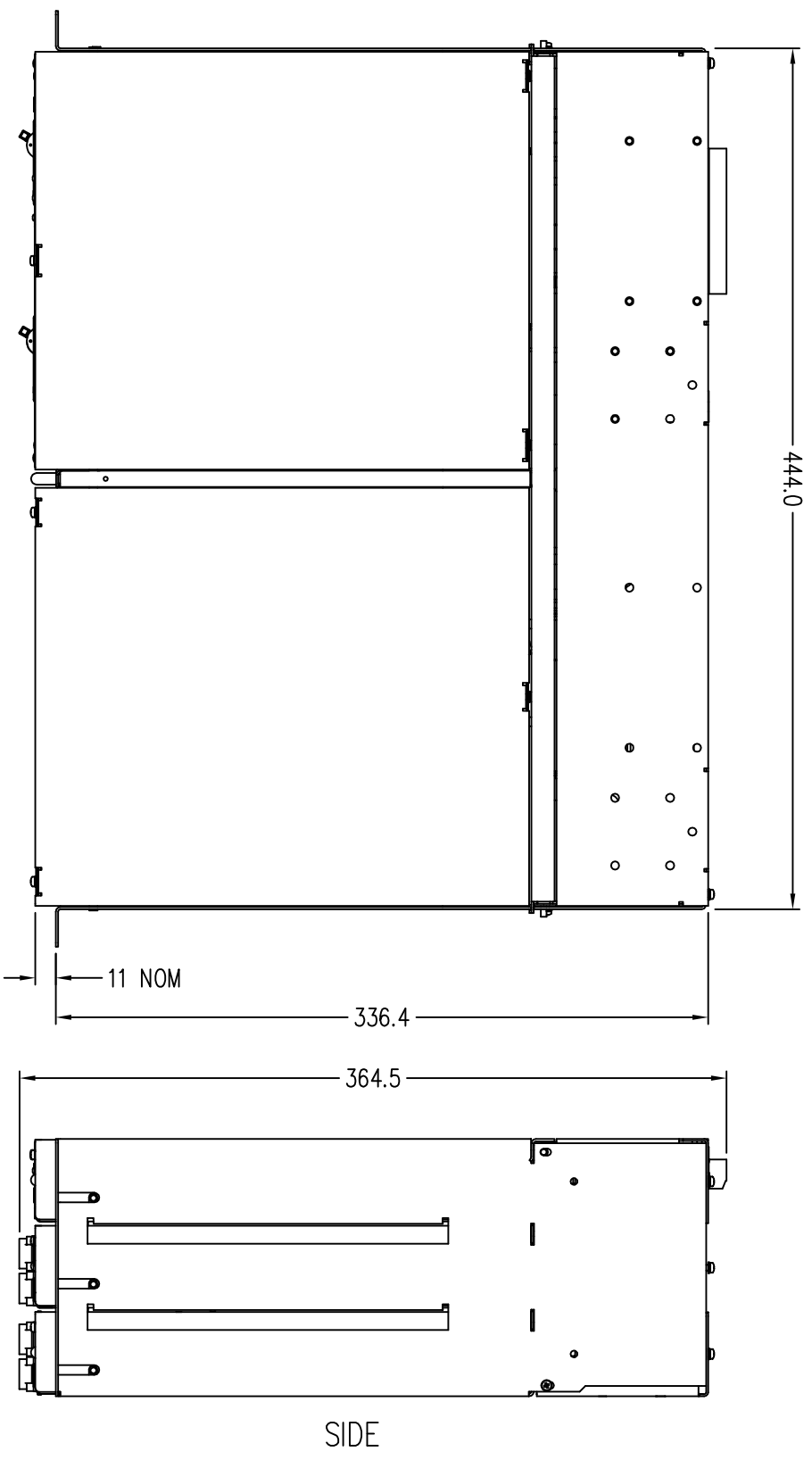


REVISION HISTORY

ISSUE	ECN	DETAILS	DRWN	CHKD	DATE
01	-	Preliminary for quote	JJ	-	29:02:12



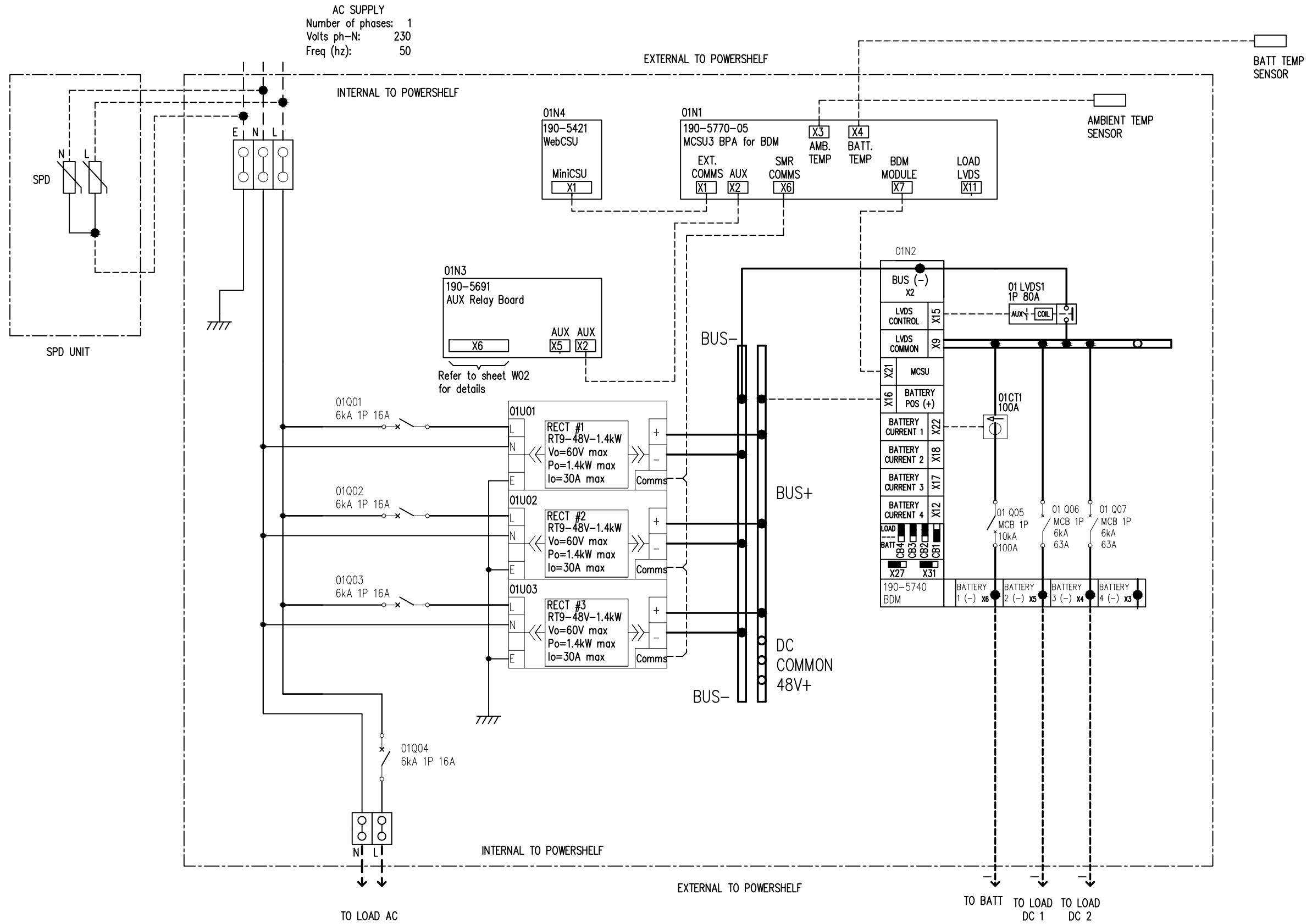
PROPRIETARY INFORMATION Not to be disclosed, copied or used without prior written permission from Rectifier Technologies

Rectifier Technologies Pacific Pty. Ltd.
 18 Joseph Street, Blackburn North, Vic, Australia, 3130
 Phone: +61 3 9896 7588 Fax: +61 3 9896 7566 © 2012

TITLE: POWERSHELF 3RU, 48V FOR 3X SMR
 LAYOUT - POWERSHELF

PART/DOC NUMBER SHEET ISSUE
 - L01 01

All dimensions in millimetres FILENAME: 940-2279

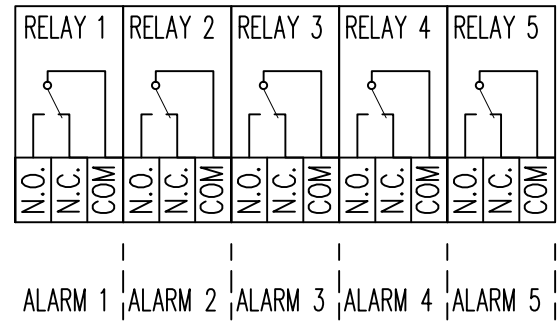


NOTE:	Name				Signature		Date		Status: FOR MANUFACTURE		Project Title: Powershell RT9-48VDC 1.4kW 3RU Charger System	
	Designed by:								PROPRIETARY INFORMATION. Not to be disclosed, copied, or used without prior written permission from Rectifier Technologies.		Sheet Title: WIRING DIAGRAM - TOTAL SYSTEM	
	Design chk:								Copyright 2010 Rectifier Technologies. All rights reserved. Subject to change without notice.		Client Ref:	
	CAD by:								Rectifier Technologies Pacific Pty. Ltd. 18 Joseph Street, Blackburn North, Vic, Australia, 3130 Phone: +61 3 9896 7588 Fax: +61 3 9896 7566		DWG NO: 940-2279	
	CAD chk:										SHEET W01	

(FROM SHEET W01)


01N3

ALARM RELAY BOARD



ALARM ALLOCATION TABLE

ALARM RELAYS	ALARM DESCRIPTION	TERMINAL NUMBER	ALLOCATED ALARMS
ALARM RELAY#1	USER DEFINED	-	-
ALARM RELAY#2	USER DEFINED	-	-
ALARM RELAY#3	USER DEFINED	-	-
ALARM RELAY#4	USER DEFINED	-	-
ALARM RELAY#5	USER DEFINED	-	-

NOTE:	Name	Signature	Date	Status: FOR MANUFACTURE	Client Ref:	Project Title: Powershelf RT9-48VDC 1.4kW 3RU Charger System			
	Designed by:			<small>PROPRIETARY INFORMATION. Not to be disclosed, copied, or used without prior written permission from Rectifier Technologies. Copyright 2010 Rectifier Technologies. All rights reserved. Subject to change without notice.</small>		Sheet Title: WIRING DIAGRAM - ALARM RELAY CONNECTION			
	Design chk:					 Rectifier Technologies Pacific Pty. Ltd. 18 Joseph Street, Blackburn North, Vic, Australia, 3130 Phone: +61 3 9896 7588 Fax: +61 3 9896 7566	DWG NO: 940-2279	SHEET	ISSUE
	CAD by:						W02	01	
	CAD chk:								